

## Face Frame

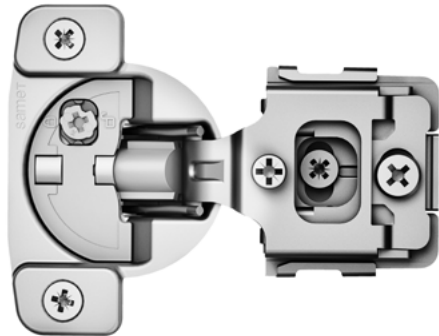
Degree of Opening: 105°

Overlay: 1/2"

Adjustments: 6-Way



KNAPE & VOGT  
POWERED BY samet



## 1/2" Overlay Supreme Hinge

Integrated soft-close mechanism completes the aesthetic and minimalist design of the hinge and can be customized by the user by locking and un-locking the soft close mechanism. A high-engineered Track-Lock mechanism allows all users to assemble and dis-assemble the door to the cabinet easily. Designed and developed to save time during your upper cabinet installation process.

### Specifications

Degree of Opening: 105°

Cup Diameter: 35mm

Cup Depth: 11mm

Mounting Type: Wood screw / 8mm Dowel

Diameter of Mounting Hole: 2,5mm (wood screw) and 8mm (dowel)

Closing: Soft-Close Mechanism with On-Off Feature

Adjustments: 6-way height, side and depth adjustment

Depth Adjustment: +2,5/-0mm

Min. Door Thickness: 16mm

Max. Door Thickness: 19mm

Door Material: Wood

Drilling Pattern: 45mm

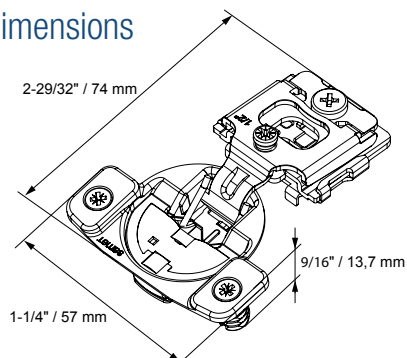
### Installation

Tool free and simple assembling and disassembling of the cabinet doors. Only one touch on the Track mechanism is enough to release and fix the cabinet doors.

### Warranty

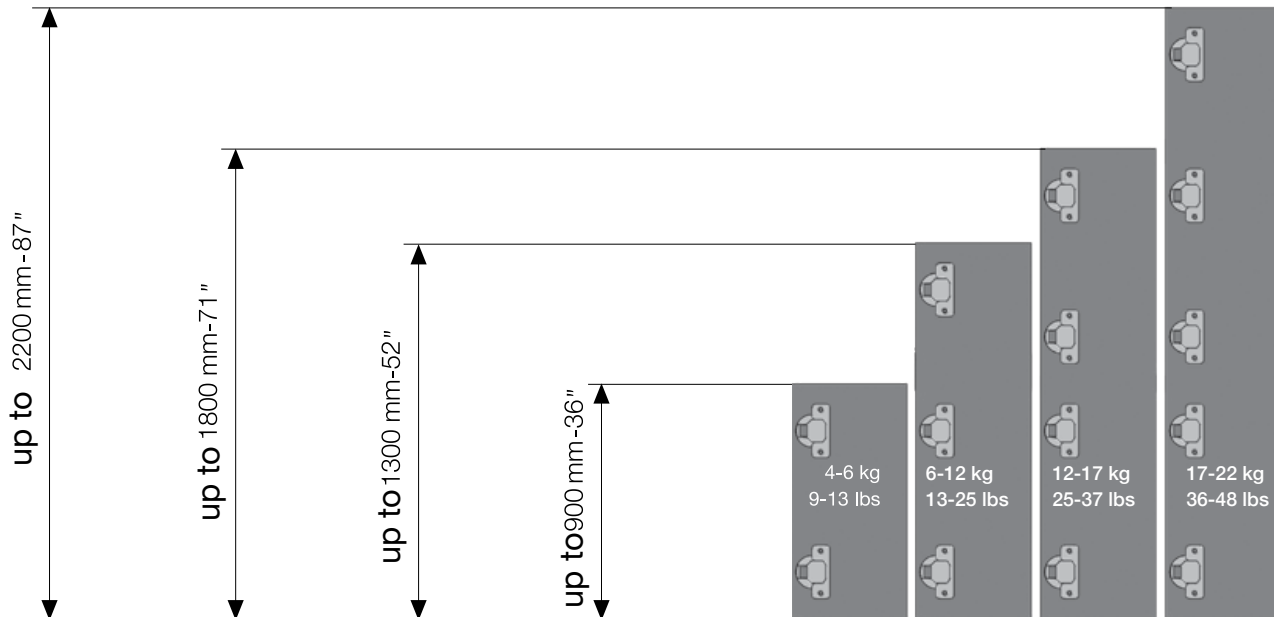
Limited Lifetime Warranty

### Dimensions



SKU	Description	Unit of Measure	Box Quantity
<b>Hinges</b>			
KVSHB SOFT 400	SUPREME FACE FRAME HINGE SOFT CLOSE 105 DEGREE 1/2" OVERLAY 8MM DOWEL 45AX	Each	200
KVSHB SOFT 402	SUPREME FACE FRAME HINGE SOFT CLOSE 105 DEGREE 1/2" OVERLAY WOODSCREW 45AX	Each	200
<b>Accessories</b>			
KVSHB RC 410	SUPREME HINGE 85° RESTRICTION CLIP	Each	5,000

## Required Hinge Quantity for Wood Doors



\* Quantity of hinges can be calculated according to door dimensions and weight of the door by referring the diagram.

\* The number of hinges showed in table should be considered as guide. The number of hinges should be decided with trial installation for uncertain situation.

\* Door width is taken as up to 600 mm.



2700 Oak Industrial Dr. NE  
 Grand Rapids, MI 49505-6026 USA  
 1.800.253.1561 | 616.459.3311  
 Fax: 877.636.3290  
 www.kv.com

This and other KV literature is available for download at [www.kv.com](http://www.kv.com) > Resource Library

Knape & Vogt reserves the right to change product specifications at any time without notice and without incurring responsibility for existing units.

©2022 Knape & Vogt. KV and the KV logo are trademarks of Knape & Vogt.

0L3263/0822