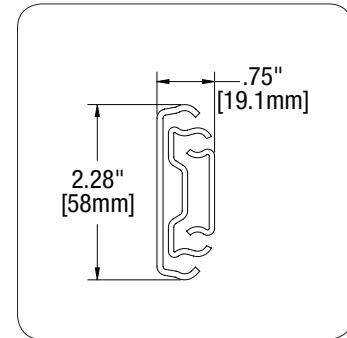


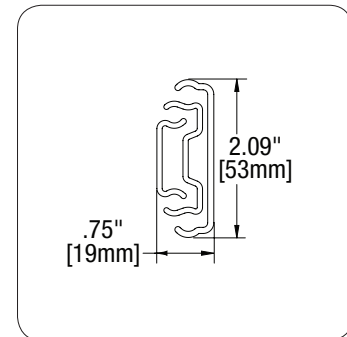
Floor Console

- Market Need – Allow cup holders and other storage items to be accessed from front and 2nd row of the cabin
- Design Challenges – Ease of installation and simple attachment method, structural integrity and minimize noise.
- Solution – Sliding system that allows motion for 2 areas of the console, whole unit movement and upper storage access. Slide features incorporated in solutions like this include:
 - Brackets and bayonets for attachment
 - Assembly guides for ease of installation
 - Bumpers/stops to reduce noise
 - Black or zinc finish



- 58mm (2.28") tall
- 3 member full extension
- 19.1mm (.75") wide

[Download Profile](#)



- 53mm (2.09") tall
- 3 member full extension
- 19mm (.75") wide

[Download Profile](#)



KNAPE & VOGT®