

PKT-75S and 75A Series



Steel and aluminum track 75 lb pocket door hardware.

Hardware for medium-weight single pocket doors. The PKT-75S (steel track) and 75A (aluminum track) series features a 4-wheel spring carrier for smooth gliding movement. Ideal for 75 lb pocket doors used in a variety of residential applications. Bi-parting doors are possible with the optional bi-parting door kit.

Door thickness: 1-1/8" to 1-3/4"

Load rating: Up to 75 lbs per door

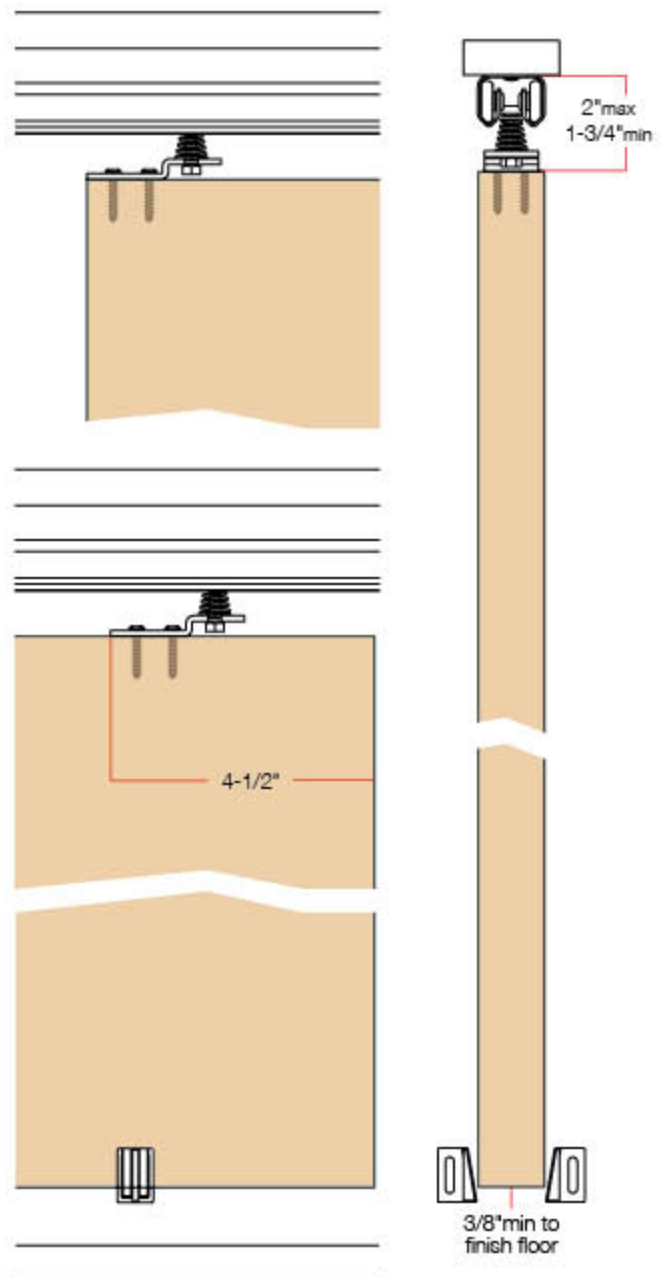
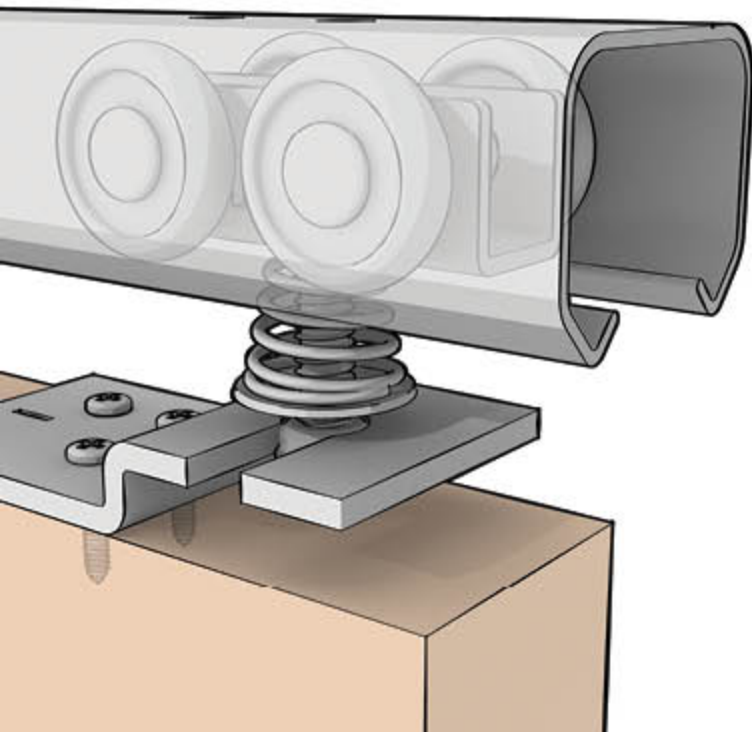
Track: 75S - Steel box track
75A - Aluminum box track

Carrier: 4-wheel low friction bearing

Compares to: Hettich/Grant 6023, 6053, Johnson 2800, 2850, 111PD, Stanley PD75

Conforms to: ANSI/BHMA A156.14-2007
Grade 1, D8691, D8692
With bi-parting kit - Grade 1, D8721, D8722

PKT-75S | 75A series configuration



Door Thickness:
1-1/8" - 1-3/4"

75 100 125 150 250
Pocket Door Weight (Lb)

PKT-75S | 75A PKT-100A PKT-125A PKT-150A PKT-250A Components

Packaged Sets

SKU	Door Panel Configuration	Pack Qty	Pack Qty Weight (Lb)
PKT-75S-4	1 x 24" door	5	13
PKT-75S-5	1 x 30" door	5	16
PKT-75S-6	1 x 36" door	5	16
PKT-75S-8	1 x 48" door	5	22
PKT-75A-4	1 x 24" door	5	11
PKT-75A-5	1 x 30" door	5	13
PKT-75A-6	1 x 36" door	5	14
PKT-75A-8	1 x 48" door	5	17

Hardware Contents	PKT-75S-4	PKT-75S-5	PKT-75S-6	PKT-75S-8	PKT-75A-4	PKT-75A-5	PKT-75A-6	PKT-75A-8
Track-1599	47"	59"	71"	95"	-	-	-	-
Track-1601K	-	-	-	-	47"	59"	71"	95"
4-wheel spring carrier-1582	2	2	2	2	2	2	2	2
Top mount plate 1507-TM	2	2	2	2	2	2	2	2
Door guide-0883	2	2	2	2	2	2	2	2
Bumper-0881	1	1	1	1	1	1	1	1
Wrench-8665-B	1	1	1	1	1	1	1	1
Screws	Yes	Yes	Yes	Yes	Yes	Yes	Yes	Yes



PKT-75S-4



PKT-75A-4

Knappe & Vogt® products follow the ANSI A156.14-2007 testing standards established by BHMA.

1.800.253.1561 | www.kv.com



Tracks

SKU	Description	Pack Qty	Pack Qty Weight (Lb)
BK-1599-Z47	47" Steel box track	20	27
BK-1599-Z55	55" Steel box track	20	38
BK-1599-Z59	59" Steel box track	20	40
BK-1599-Z63	63" Steel box track	20	44
BK-1599-Z71	71" Steel box track	20	49
BK-1599-Z95	95" Steel box track	10	32
BK-1599-Z119	119" Steel box track	10	40
BK-1601-47K	47" Aluminum key-holed box track	10	11
BK-1601-59K	59" Aluminum key-holed box track	10	14
BK-1601-71K	71" Aluminum key-holed box track	10	17
BK-1601-96K	95" Aluminum key-holed box track	10	22



BK-1599 Series



BK-1601K Series

Part Bags

SKU	Door Panels	Pack Qty	Pack Qty Weight (Lb)
PB-PKT-75	1	40	22

Hardware Contents	PB-PKT-75
4-wheel spring carrier-1582	2
Top mount plate-1507-TM	2
Door guide-0899	1
Door Bumper-0881	1
Wrench-8665-B	1
Screws	Yes



PB-PKT-75

Components

SKU	Description	Pack Qty	Pack Qty Weight (Lb)
BK-0881	Door Bumper	80	1
BK-0883	Pocket door guides	100	2
BK-0889	Pocket door guide	50	1
BK-1353-3.5	Floor plate, jamb spacer 3-1/2"	300	18
BK-1353-4.5	Floor plate, jamb spacer 4-1/2"	150	11
BK-1355	Jamb stiffener 81-3/4"	30	23
BK-1355-85	Jamb stiffener 85-3/4"	30	26
BK-1355-97	Jamb stiffener 97-3/4"	30	30
BK-1507-TM	Top mount plate	500	55
BK-1582	4-wheel spring carrier, 7/8" diameter wheels	500	55
BN-0868-US10B	2-1/8" finger pull (oil rubbed bronze)	150	5
BN-0868-US15	2-1/8" finger pull (satin nickel)	150	5
BN-0868-US26	2-1/8" finger pull (bright chrome)	150	5
BN-0868-US3	2-1/8" finger pull (bright brass)	150	5
BN-0868-US5	2-1/8" finger pull (antique brass)	150	5
BX1062-26DA	Pocket door lock keyed alike nickel	5	2
BX1062-US26D	Pocket door lock keyed different nickel	5	2
BX1062-US3	Pocket door lock keyed different brass	5	2
BX1062-US3A	Pocket door lock keyed alike brass	5	2
PB-0884-US15	Edge pull (satin nickel)	10	1
PB-0884-US3	Edge pull (bright brass)	10	1
PB-1038-US3	Passage pull (satin nickel)	6	2
PB-1038-US15	Passage pull (bright brass)	6	2
PB-1039-US15	Privacy lock (satin nickel)	6	3
PB-1039-US3	Privacy lock (bright brass)	6	3
PB-1437	Bi-parting door adapter kit	6	4



POCKET COMPONENTS



- BK-0881 Bumper**
- **Materials:** Plastic
 - **Dimension:** 1/2"
 - **Notes:** Includes screw. Is adhered to back end of door.



- BK-1355 Jamb stiffener**
- **Materials:** Galvanized steel
 - **Length:** 81-3/4"



- BK-0883-WT Pocket door guides**
- **Materials:** Plastic
 - **Guide:** 1-3/16" x 3/4" x 1-1/8" (21mm x 19mm x 29mm)
 - **Notes:** Two guides needed per door. Screws to jamb door guide. White.



- BK-1355-85 Jamb stiffener**
- **Materials:** Galvanized steel
 - **Length:** 85"



- BK-0883 Pocket door guides**
- **Materials:** Plastic
 - **Guide:** 1-3/16" x 3/4" x 1-1/8" (21mm x 19mm x 29mm)
 - **Notes:** Two guides needed per door. Screws to jamb door guide. Beige.



- BK-1355-97 Jamb stiffener**
- **Materials:** Galvanized steel
 - **Length:** 97"



- BK-0889 Pocket door guide**
- **Materials:** Plastic
 - **Notes:** Screws to jamb door guide. White.



- BK-1507-TM Top mount plate**
- **Materials:** Steel with brass finish



- BK-1353-3.5 Floor plate, jamb spacer**
- **Materials:** Galvanized steel
 - **Length:** 3-1/2"



- BK-1582 4-Wheel ball bearing carrier**
- **Materials:** Steel
 - **Wheel:** 7/8" (22mm) diameter
 - **Notes:** Wheels self-align to allow consistent contact with track. Lubricated plastic wheels on steel shafts.



- BK-1353-4.5 Floor plate, jamb spacer**
- **Materials:** Galvanized steel
 - **Length:** 4-1/2"



- BK-1606-QR 4-Wheel ball bearing carrier**
- **Materials:** Steel with brass finish
 - **Wheel:** 7/8" (22mm) diameter
 - **Notes:** Wheels self-align to allow consistent contact with track. Lubricated plastic wheels on steel shafts.



- BK-1800-DBA Quick release top mount plate**
- **Materials:** Zinc plated steel with plastic lever
 - **Notes:** Attaches to door. Carrier attaches to plate. Quick release feature.



- BN-0868-US5 Pull**
- **Finish:** Antique brass
 - **Diameter:** 2-1/8"



- BK-1820 4-Wheel ball bearing carrier**
- **Materials:** Zinc plated steel
 - **Wheel:** 1-1/4" (32mm) diameter
 - **Notes:** Wheels self-align to allow consistent contact with track. Lubricated plastic wheels on steel shafts.



- BX1062-26DA Lock**
- **Materials:** Steel
 - **Notes:** Nickel, keyed alike



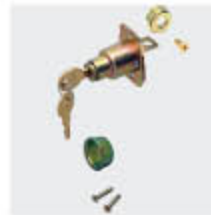
- BN-0868-US10B Pull**
- **Finish:** Oil rubbed bronze
 - **Diameter:** 2-1/8"



- BX1062-US26D Lock**
- **Materials:** Steel
 - **Notes:** Nickel, keyed different (5 key random)



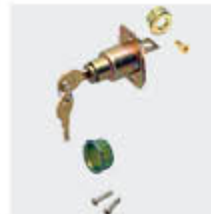
- BN-0868-US15 Pull**
- **Finish:** Satin nickel
 - **Diameter:** 2-1/8"



- BX1062-US3 Lock**
- **Materials:** Steel
 - **Notes:** Brass, keyed different (5 key random)



- BN-0868-US26 Pull**
- **Finish:** Bright chrome
 - **Diameter:** 2-1/8"



- BX1062-US3A Lock**
- **Materials:** Steel
 - **Notes:** Brass, keyed alike



- BN-0868-US3 Pull**
- **Finish:** Bright brass
 - **Diameter:** 2-1/8"



- PB-0884-US15 Edge pull**
- **Extends:** 1-1/16" (27 mm)
 - **Faceplate:** 21/32" x 3-1/2" (17mm x 89mm)
 - **Notes:** Satin nickel. Includes two screws. Ideal for narrow and standard door thicknesses.

**PB-0884-US3** Edge pull

- **Extends:** 1-1/16" (27 mm)
- **Faceplate:** 21/32" x 3-1/2" (17mm x 89mm)
- **Notes:** Bright brass. Includes two screws. Ideal for narrow and standard door thicknesses.

**PB-1639** Bi-parting door adapter kit

- **Notes:** For PKT-100A, PKT-125A, PKT-150A, PKT-250A

**PB-1038-US15** Pocket door latch

- **Size:** 2-3/4" x 2-1/2" (70mm x 64mm)
- **Finish:** Satin nickel
- **Fasteners:** Included
- **Notes:** For use with 1-3/8" to 1-3/4" (35mm x 45mm) doors.

**PB-2004** 4-Wheel carrier and quick release top mount plate

- **Materials:** Zinc plated steel and plastic
- **Wheel:** 1" (25mm) diameter
- **Notes:** Wheels self-align for consistent contact with track. Lubricated plastic wheels.

**PB-1038-US3** Pocket door latch

- **Size:** 2-3/4" x 2-1/2" (70mm x 64mm)
- **Finish:** Bright brass
- **Fasteners:** Included
- **Notes:** For use with 1-3/8" to 1-3/4" (35mm x 45mm) doors.

**PB-2004-BB** 4-Wheel ball bearing carrier and quick release top mount plate

- **Materials:** Zinc plated steel and plastic
- **Wheel:** 1" (25mm) diameter
- **Notes:** Wheels self-align for consistent contact with track. Lubricated plastic wheels.

**PB-1039-US15** Pocket door privacy latch

- **Size:** 2-3/4" x 2-1/2" (70mm x 64mm)
- **Finish:** Satin nickel
- **Fasteners:** Included
- **Notes:** For use with 1-3/4" (45mm) doors.

**PB-1039-US3** Pocket door privacy latch

- **Size:** 2-3/4" x 2-1/2" (70mm x 64mm)
- **Finish:** Bright brass
- **Fasteners:** Included
- **Notes:** For use with 1-3/4" (45mm) doors.

**PB-1437** Bi-parting door adapter kit

- **Notes:** For PKT-75S, PKT-75A.

POCKET CROSS-REFERENCE

KV Series	Hettich/Grant	Johnson	Stanley
PKT-75S 75A	6023, 6053	2800, 2850, 111PD	PD75
PKT-100A	-	III PD, 2800, 2850	-
PKT-125A	-	100PD	-
PKT-150A	71-034, 71-111, 71-138, 71-222, 150, 5150	111PD	PD150
PKT-250A	1210	100PD, 200PD	-