

PKF-250A Series

Pocket frame hardware for 250 lb pocket doors.



Durable pocket frame kit for ultra heavy-weight single pocket doors, 8' tall with 2" x 4" framing. The PKF-250A features 4-wheel carriers with quick release top mount plates and sturdy pocket-end and doorway-end brackets. Ideal for 250 lb pocket doors used in a variety of commercial and residential applications.

Bi-parting doors are possible with the optional bi-parting door kit.

Door thickness: 1-3/8" to 1-3/4"

Door height: 8'

Load rating: Up to 250 lbs per panel

Track: Aluminum box track

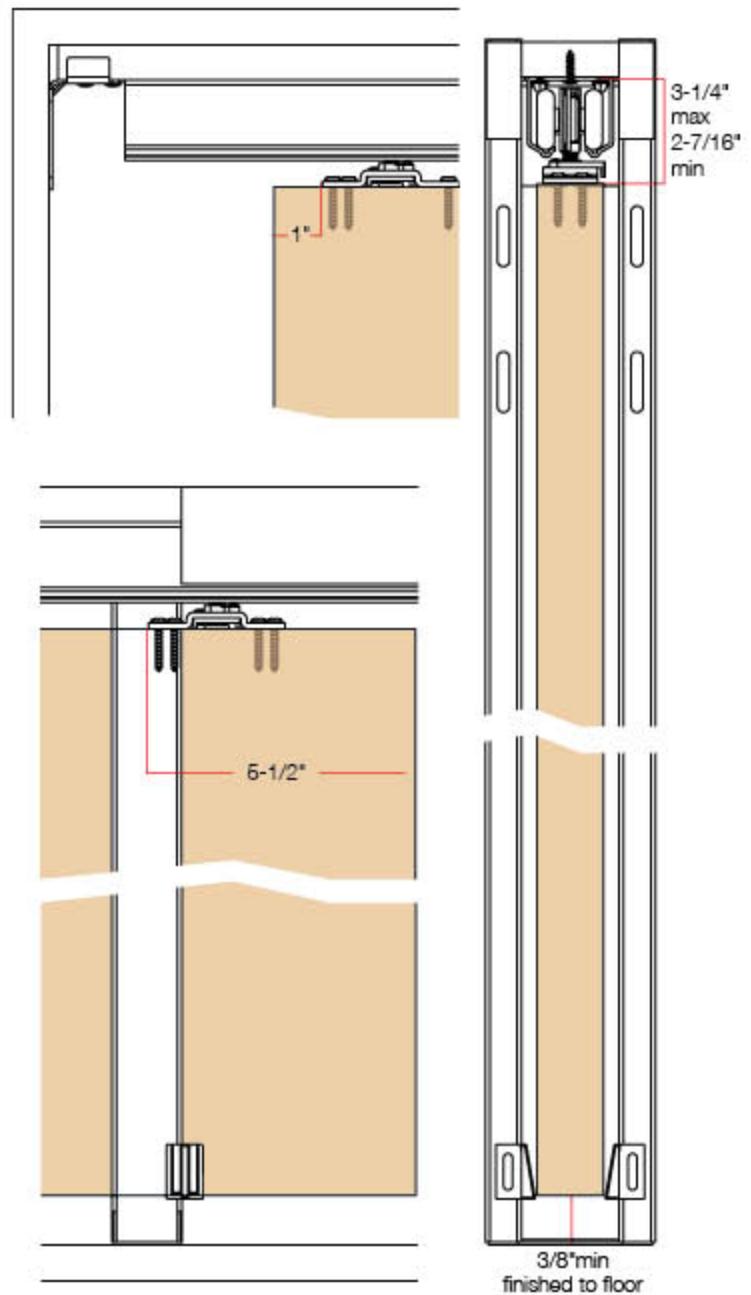
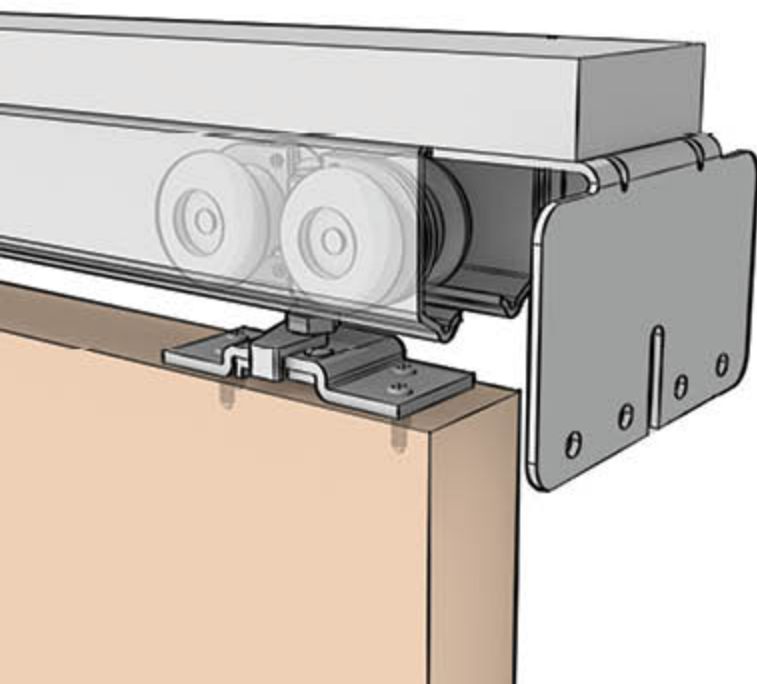
Carrier: 4-wheel ball bearing

Compares to: Johnson 1560, Stanley PDF250N

Conforms to: ANSI/BHMA A156.14-2007
Grade 1, D8671, D8672

With bi-parting kit - Grade 1, D8711, D8721, D8722

PKF-250 series configuration



Door Thickness:
1-3/8" – 1-3/4"

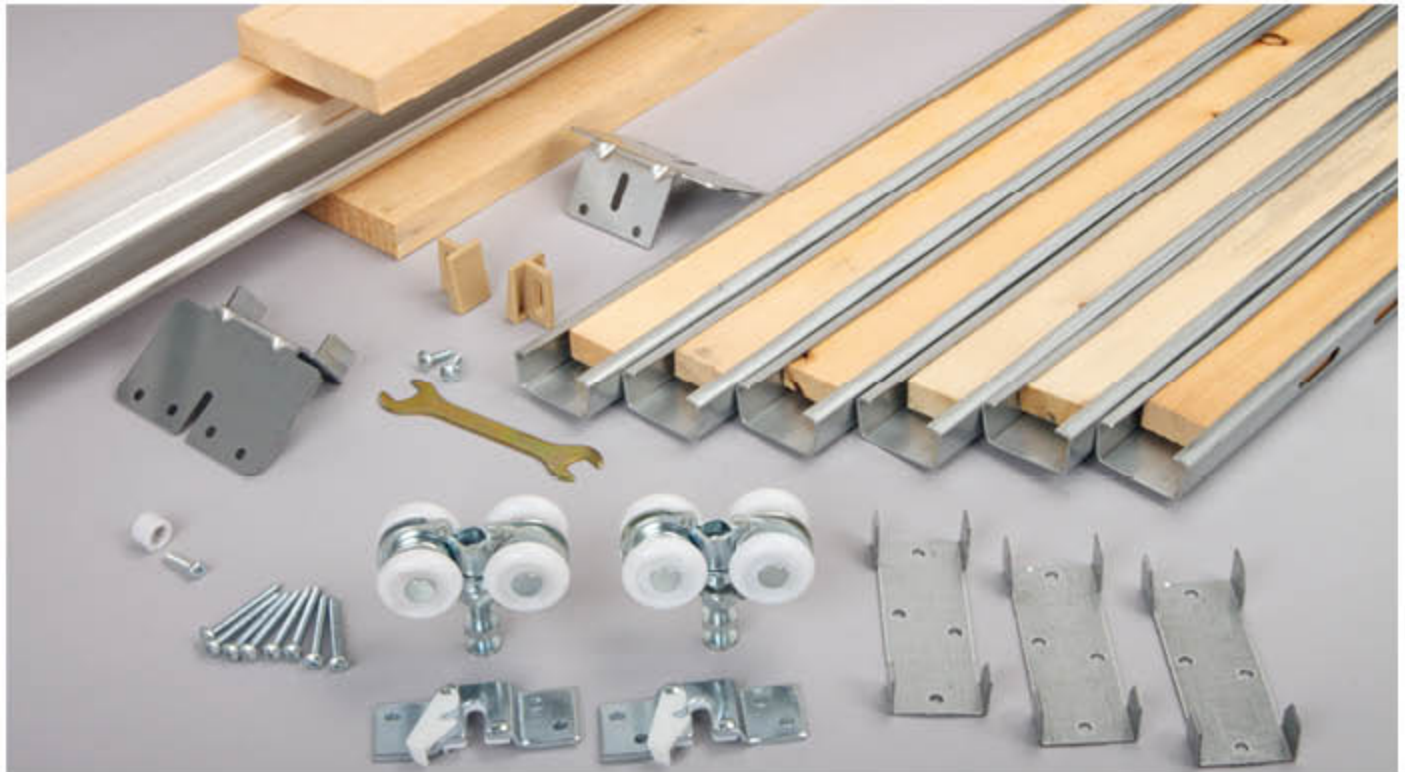
75 100 150 **250**
Pocket Door Weight (lbs.)

PKF-75S PKF-100A | 100A7 | 100A8 | 100A6W PKF-150A | 150A7 | 150A8 | 150A6W **PKF-250A** Components

Frame Kit

SKU	Door Panel Configuration	Pack Qty	Pack Qty Weight (Lb)
PKF-250A-4	Door widths up to 48"	1	51

Frame Kit Contents	PKF-250A-4
Header with 1801K aluminum track	96"
Doorway end bracket-8661	1
Pocket end bracket-8662	1
Floor plate-1840-FP	3
Door bumper-0881	1
Carrier-1820 with quick release top mount plate-1800-DBA	2
Split studs	6 x 8'
Door guide-0883	2
Wrench-8710	1
Screws	Yes



PKF-250

Knape & Vogt® products follow the ANSI A156.14-2007 testing standards established by BHMA.

1.800.253.1561 | www.kv.com

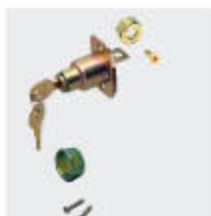


POCKET FRAME COMPONENTS

SKU	Length	Pack Qty	Pack Qty Weight (Lb)
BX1062-26DA	Pocket door lock, keyed alike, nickel	5	2
BX1062-US26D	Pocket door lock, keyed different, nickel	5	2
BX1062-US3	Pocket door lock, keyed different, brass	5	2
BX1062-US3A	Pocket door lock, keyed alike, brass	5	2
PB-0884-US15	Edge pull (satin nickel)	10	1
PB-0884-US3	Edge pull (bright brass)	10	1
PB-1038-US15	Passage pull (satin nickel)	6	2
PB-1038-US3	Passage pull (bright brass)	6	2
PB-1039-US15	Privacy lock (satin nickel)	6	3
PB-1039-US3	Privacy lock (bright brass)	6	3
PB-1437	Double pocket door adaptor kit	6	4
PB-1639	Bi-parting double door	6	4



BX1062-26DA Lock
 • **Materials:** Steel
 • **Notes:** Nickel, keyed alike.



BX1062-US3A Lock
 • **Materials:** Steel
 • **Notes:** Brass, keyed alike.



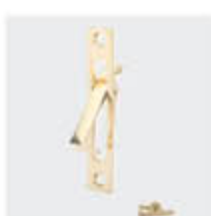
BX1062-US26D Lock
 • **Materials:** Steel
 • **Notes:** Nickel, keyed different (5 key random).



PB-0884-US15 Edge pull
 • **Extends:** 1-1/16" (27 mm)
 • **Faceplate:** 21/32" x 3-1/2" (17mm x 89mm)
 • **Notes:** Satin nickel. Includes two screws. Ideal for narrow and standard door thicknesses.



BX1062-US3 Lock
 • **Materials:** Steel
 • **Notes:** Brass, keyed different (5 key random).



PB-0884-US3 Edge pull
 • **Extends:** 1-1/16" (27 mm)
 • **Faceplate:** 21/32" x 3-1/2" (17mm x 89mm)
 • **Notes:** Bright brass. Includes two screws. Ideal for narrow and standard door thicknesses.

COMPETITOR CROSS-REFERENCE



PB-1038-US15 Pocket door latch

- **Size:** 2-3/4" x 2-1/2" (70mm x 64mm)
- **Finish:** Satin nickel
- **Fasteners:** Included
- **Notes:** For use with 1-3/8" to 1-3/4" (35mm x 45mm) doors.



PB-1039-US3 Pocket door privacy latch

- **Size:** 2-3/4" x 2-1/2" (70mm x 64mm)
- **Finish:** Bright brass
- **Fasteners:** Included
- **Notes:** For use with 1-3/4" (45mm) doors.



PB-1038-US3 Pocket door latch

- **Size:** 2-3/4" x 2-1/2" (70mm x 64mm)
- **Finish:** Bright brass
- **Fasteners:** Included
- **Notes:** For use with 1-3/8" to 1-3/4" (35mm x 45mm) doors.



PB-1437 Bi-parting door adapter kit

- **Notes:** For PKF-75S.



PB-1039-US15 Pocket door privacy latch

- **Size:** 2-3/4" x 2-1/2" (70mm x 64mm)
- **Finish:** Satin nickel
- **Fasteners:** Included
- **Notes:** For use with 1-3/4" (45mm) doors.



PB-1639 Bi-parting door adapter kit

- **Notes:** For PKF-100A, 150A, and 250A.

POCKET CROSS-REFERENCE

KV Series	Johnson	Stanley
PKF-75S	1500	-
PKF-100A 100A7 100A8 100A6W	1500	-
PKF-150A 150A7 150A8 150A6W	1500	PDF150N
PKF-250A	1560	PDF250N