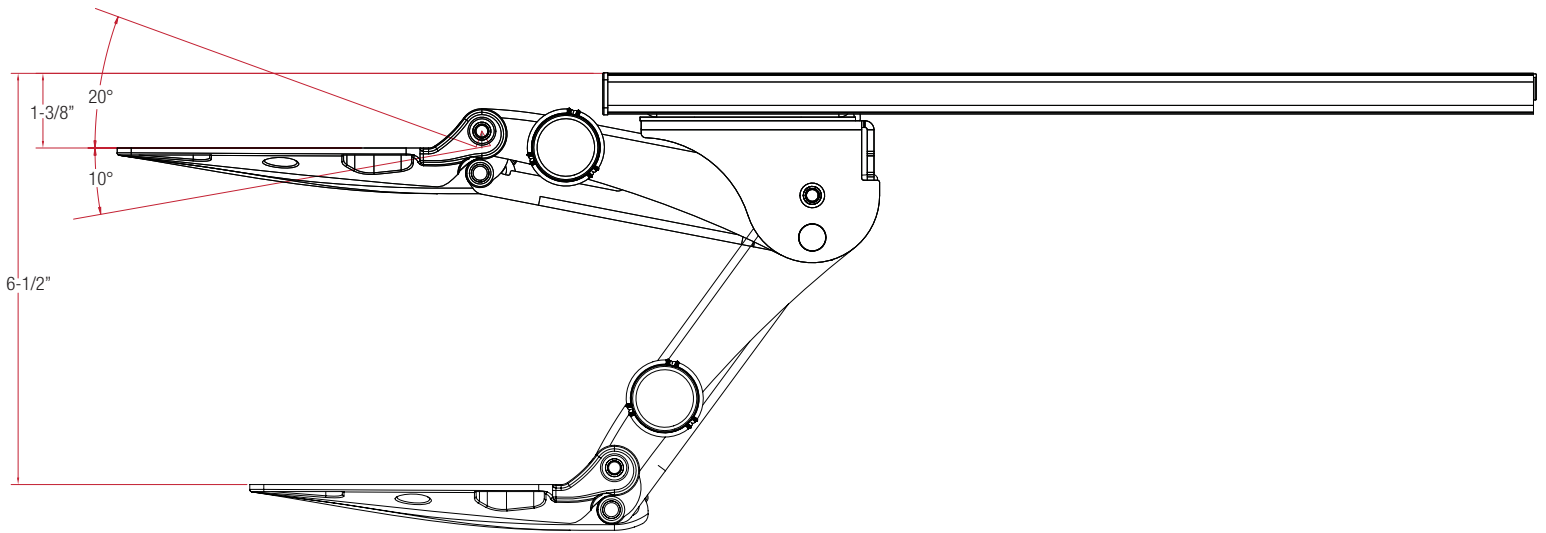


STACCATO ARM

The perfect complement to height adjustable tables





Staccato Specifications:

Height adjustment	6.5" below work surface
Fully storable	Yes, on 15.25" track
Tilt angle	+10 to -20 degrees
HFES 100-2007/BIFMA G1-2002 Under Surface Knee Space Clearance guidelines	Yes
360 degree swivel	Yes
Tilt Control	Dial Tilt Knob
Integrated Cable Manager	Yes
Finish	Satin Black
*Track Lengths Available	14", 15.25", 16"
Positive Tilt Lock Out	Optional

*Other track lengths available per request



Introducing the new Staccato Keyboard Support

Knap & Vogt Waterloo has created an arm that meets and exceeds HFES 100-2007/BIFMA G1-2002 Under Surface Knee Space Clearance guidelines and is specifically designed for benching or height adjustable tables. Effortless adjustment for a personalized fit, the Staccato's slim profile provides maximum knee clearance, as well as a superior range of motion, for maximum thigh and knee clearance. The Staccato support arm is manufactured in North America, making it TAA (Trade Agreements Act) Compliant. The Staccato arm is made from recycled materials and is fully recyclable.

Key Advantages

- Frees up space on work surface
- Fully storable on short, 15.25" track
- Superior range of motion with 6.5" height adjustment below the work surface
- Slim profile provides maximum knee clearance, complying with HFES requirements
- Smooth Lift-N-Lock™ motion to adjust height
- Easy tilt adjustment provides +10 to -20 degrees of flexibility
- Integrated cable management
- ANSI/BIFMA G1-2002 compliant
- Manufactured in North America
- The new Mini HDPE trays are a perfect compliment to the Staccato arm



- Staccato can also be used with medical carts

HDPE Mini Keyboard Tray

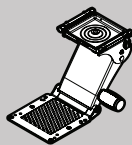
This small profile tray was developed to improve storability and ergonomic comfort. Its trimmed down design makes it perfect for height adjustable tables and benching systems where space is at a premium.



- Ideal for benching systems where space is at a premium



Staccato Arm



Black

Finish:



Code Compliance: BIFMA G1-2002 standards, ADA
*ANSI/HFES 100-2007

8481 Series

Model	Height Range	Tilt	Length	Travel	*Track Size	Track Style	Weight
8481D14	6.0"	+10° to -20°	13.75"	12.0"	14"	Glide	8.3 lbs
8481D15	6.0"	+10° to -20°	13.75"	14.0"	15.25"	Glide	8.5 lbs
8481D16	6.0"	+10° to -20°	13.75"	16.75"	16"	Glide	8.6 lbs
84811463A79	6.0"	+10° to -20°	13.75"	12.0"	14"	Glide	12.3 lbs
84811563A79	6.0"	+10° to -20°	13.75"	14.0"	15.25"	Glide	12.5 lbs
84811663A79	6.0"	+10° to -20°	13.75"	16.75"	16"	Glide	12.6 lbs
84811463A81	6.0"	+10° to -20°	13.75"	12.0"	14"	Glide	12.8 lbs
84811563A81	6.0"	+10° to -20°	13.75"	14.0"	15.25"	Glide	13.0 lbs
84811663A81	6.0"	+10° to -20°	13.75"	16.75"	16"	Glide	13.1 lbs

*Other track lengths available per request

Ancillary Products:

- Staccato is an ideal compliment to the Phenolic and HDPE Mini keyboard trays
- Use with Knapé & Vogt Waterloo CPU holders
- For flat panel displays, specify the Concerto flat panel support system

Notes: 1. Weight = packaged shipping weight per unit. 2. Specifications are subject to change without notice.

*All calculations have been made with the following assumptions: Primary desk height - 29". Primary desk thickness of 1". Under desk mounting height of 28". Input device support surface 1/2" thick, with a 11" deep input-device support surface.



2700 Oak Industrial Dr. NE
Grand Rapids, MI 49505-6026 USA
1.800.253.1561 | 616.459.3311
Fax: 877.636.3290
www.kv.com

Knapé & Vogt Waterloo
501 Manitou Drive, Kitchener Ontario,
Canada N2C 1L2
www.ergonomx.kv.com

Phone 519.748.5060
Fax 519.748.4783
cs.waterloo@kv.com